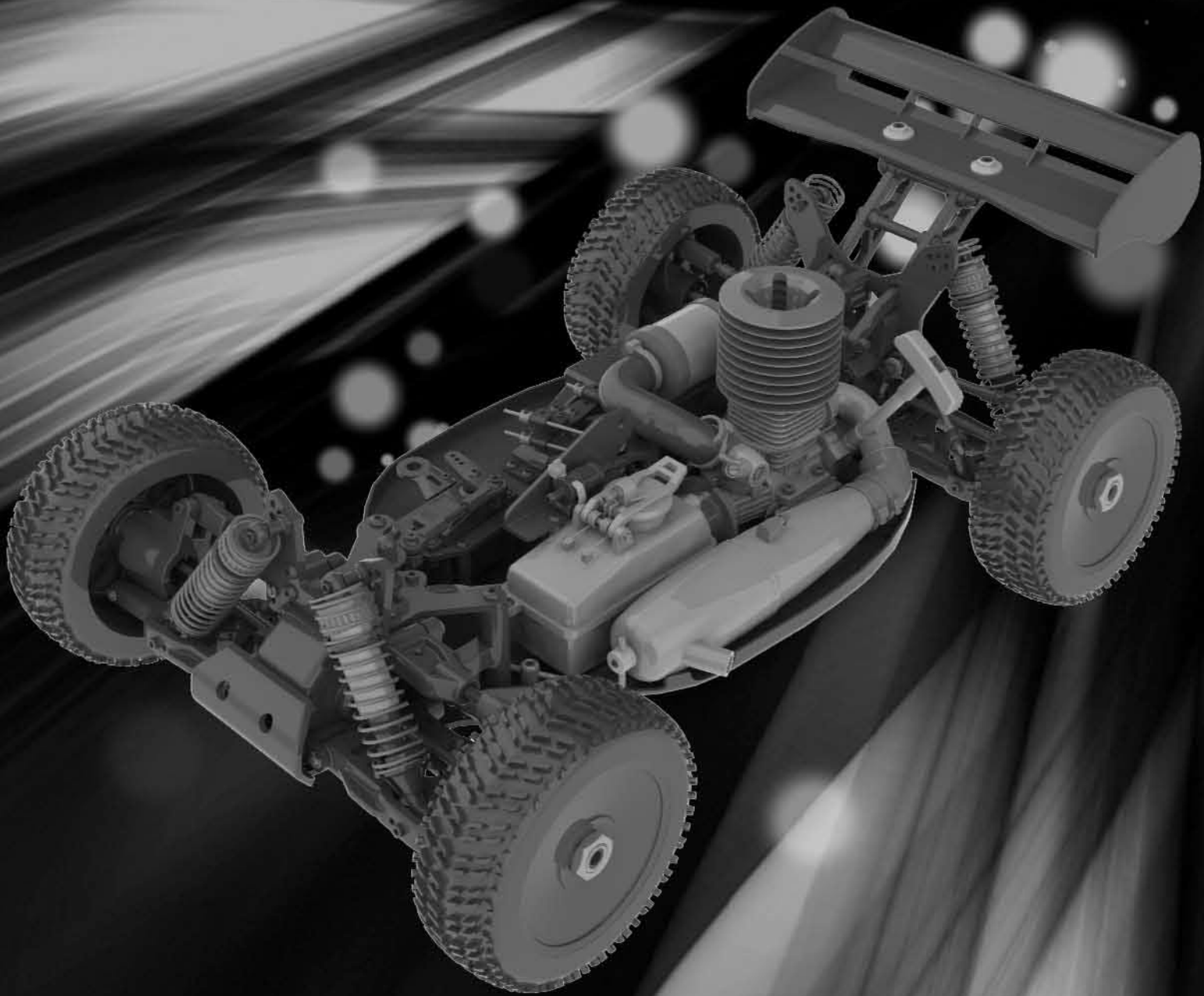


*1/8 OFF-ROAD GAS POWERED RACING CAR.*

# **HYPER 7**

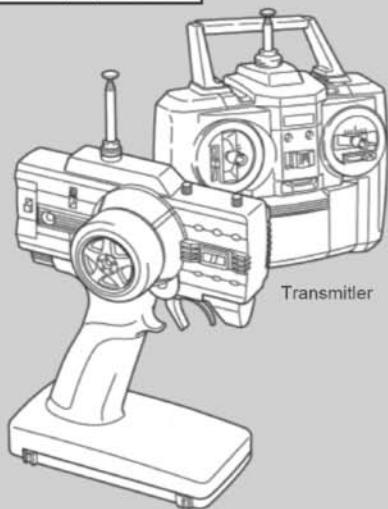


**INSTRUCTION MANUAL**  
**Hobao Racing**

# 1/8 OFF-ROAD GAS POWERED RACING CAR HYPER7

## Required

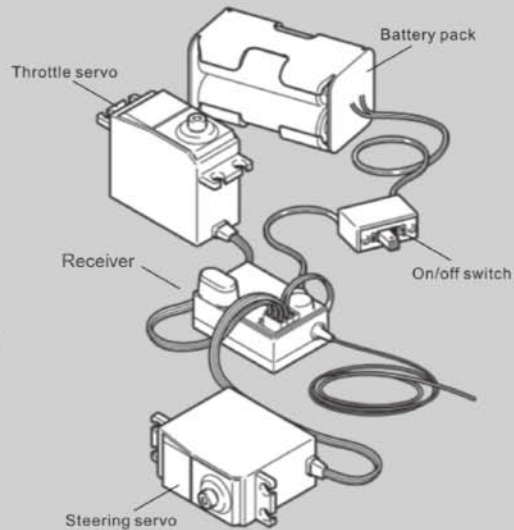
### Radio control equipment set



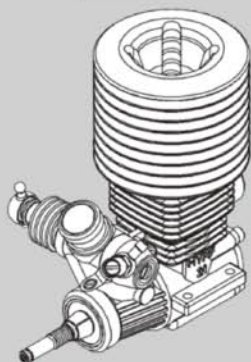
8 AA Size batteries  
for transmitter



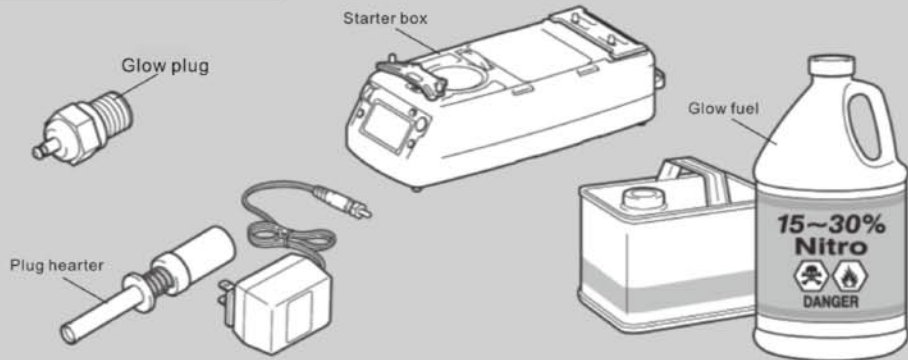
4 AA Size batteries  
for receiver



### Hyper engine series



### Required for engine starting



### Tools recommended

Hex wrench

2.5mm



2mm



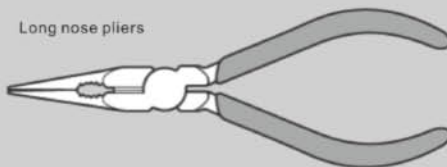
1.5mm



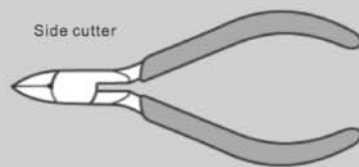
Screwdriver



Long nose pliers



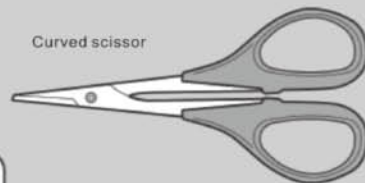
Side cutter



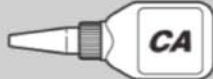
Modeling knife



Curved scissor



Instant cement



Thread lock



Silicone Oil



Grease



Reamer



### Included items

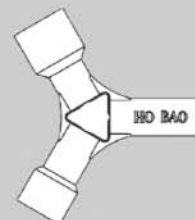
Hex wrench with



Fuel bottle

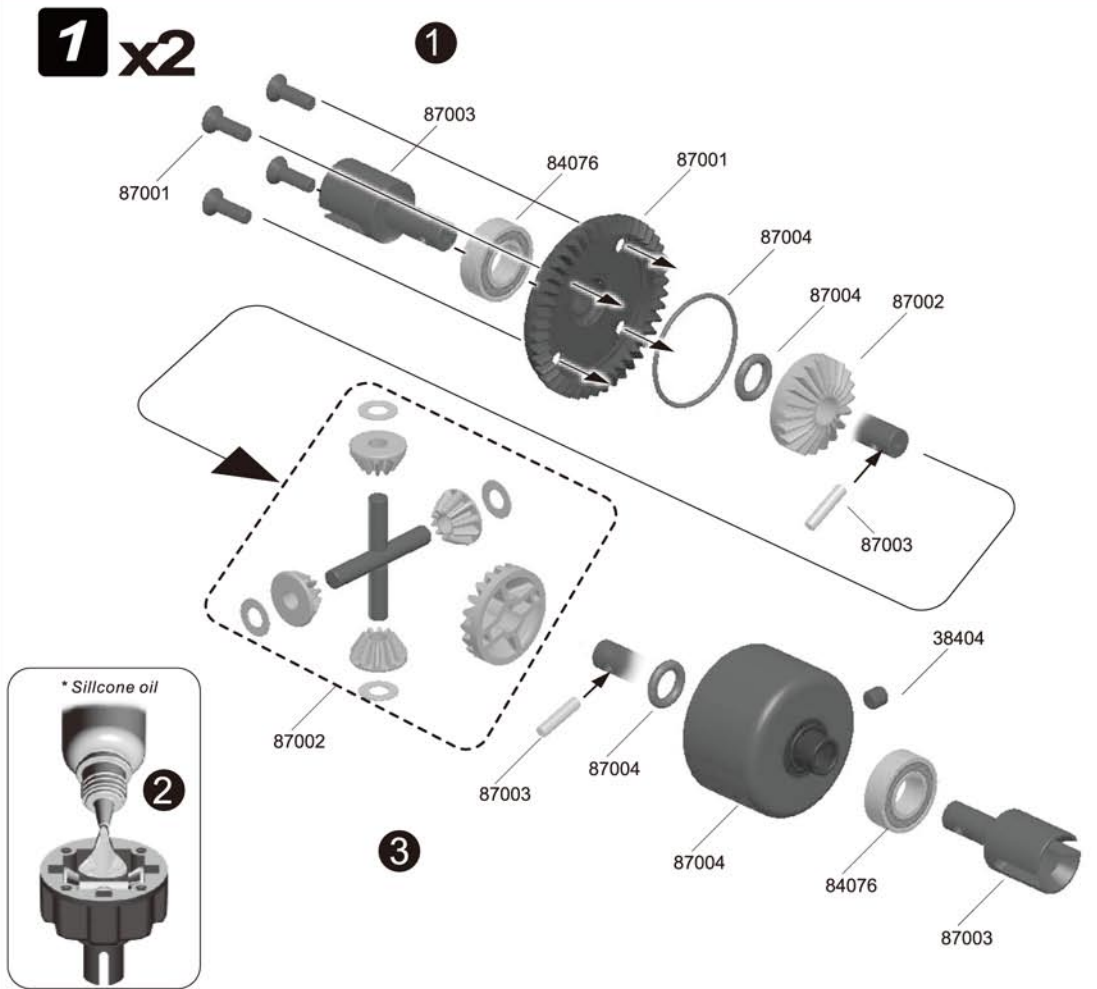


Wrench



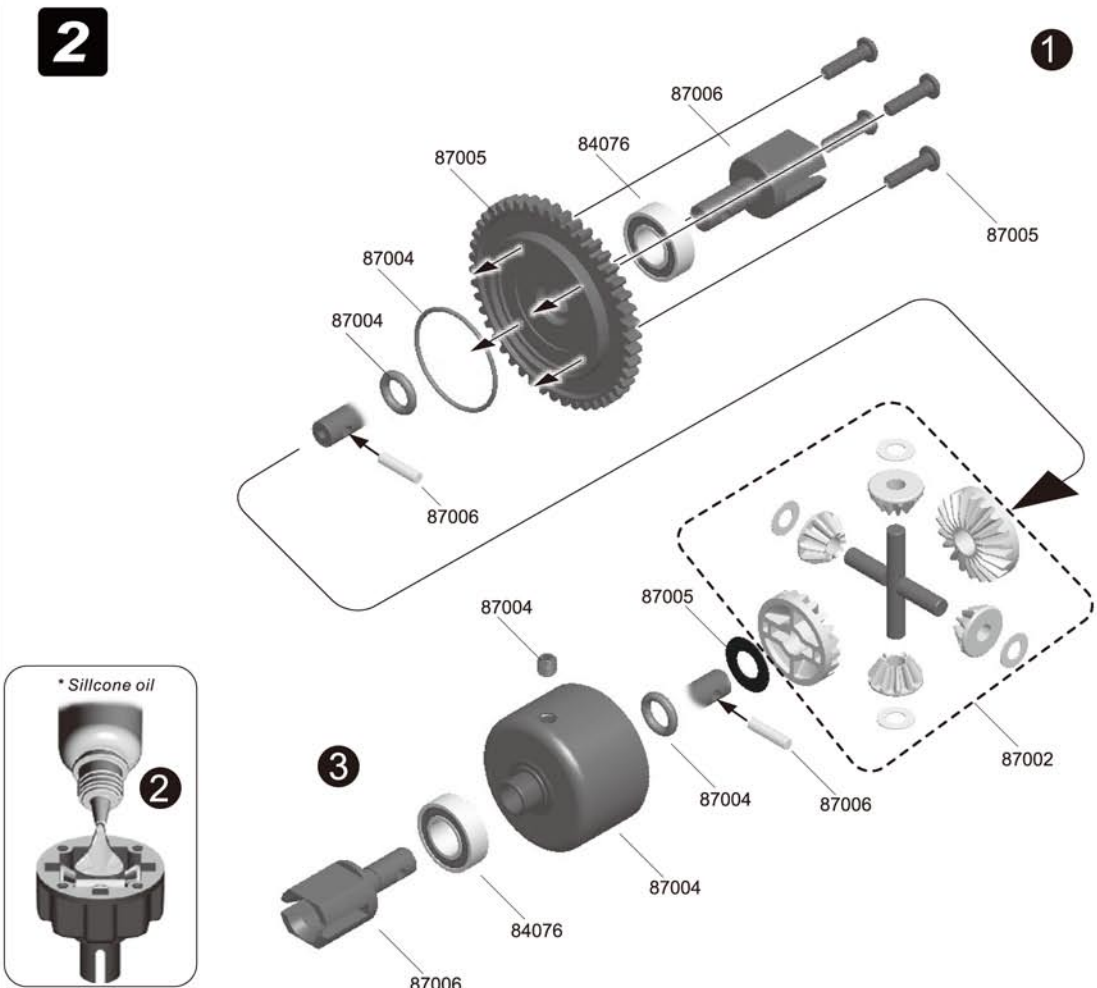
# Assembly of Front/Rear Differential

-  84076  
8x16x5mm x2  
Ball Bearing
-  87003  
2.5x10.8mm x2  
Shaft
-  87004  
6x10mm x2  
O-Ring
-  87002  
4.1x8x0.3mm x4  
Washer
-  38404  
4x4mm x1  
Set Screw
-  31310  
3x10mm x4  
F/H Screw
-  87002  
4x26.8mm x2  
Shaft



# Assembly of Center Differential

-  87004  
6x10mm x2  
O-Ring
-  84076  
8x16x5mm x2  
Ball Bearing
-  87006  
2.5x10.8mm x2  
Shaft
-  87002  
4.1x8x0.3mm x4  
Washer
-  38404  
4x4mm x1  
Set Screw
-  33312  
3x12mm x4  
B/H Screws
-  87002  
4x26.8mm x2  
Shaft
-  87005  
6.1x12x0.3mm x1  
Washer



# Assembly of Front Gear Box

**3**



84076  
8x16x5mm x2  
Ball Bearing



38504  
5x4mm x1  
Set Screw



33310T  
3x10mm x1  
B/H Tap Screw



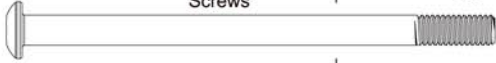
31314T  
3x14mm x2  
F/H Tap Screw



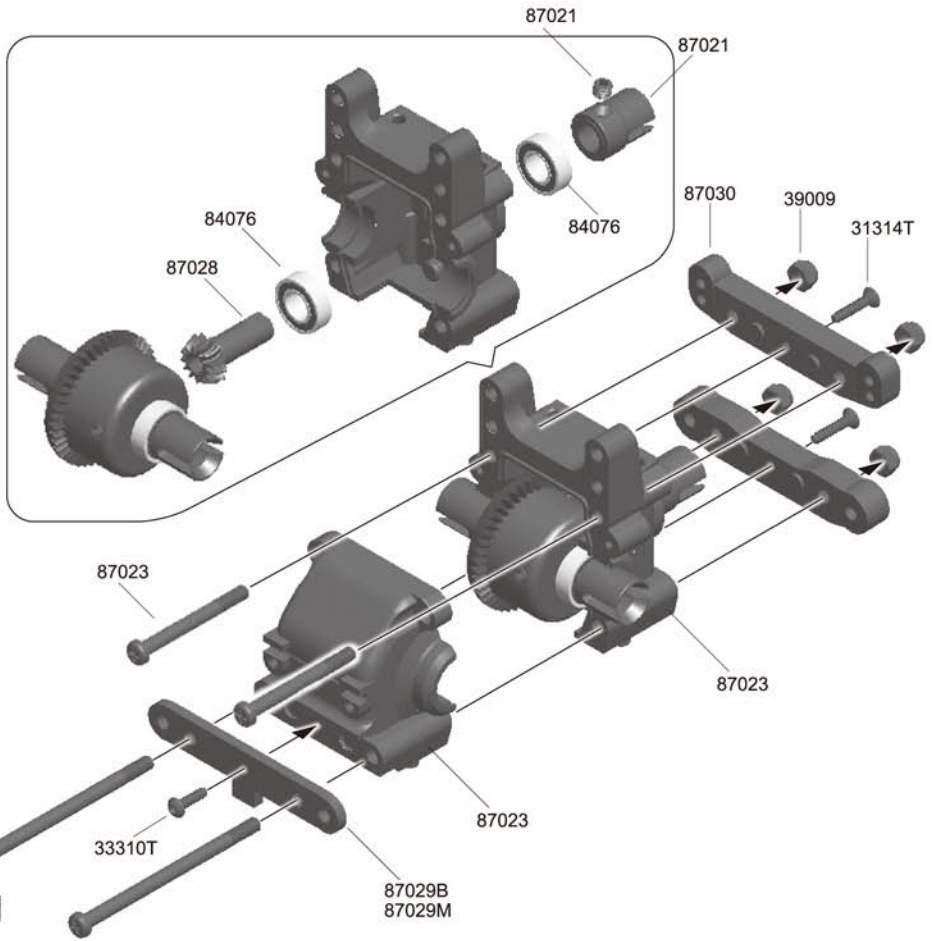
39009  
M4 Nut x4



87023  
4x37mm x2  
Screws



87023  
4x62.5mm x2  
Screws



# Assembly of Front Steering Knuckle

**4**



32412  
4x12mm x4  
Cap Screw



87032  
4.1x8x1.2mm x4  
Washer



84076  
8x16x5mm x4  
Ball Bearing



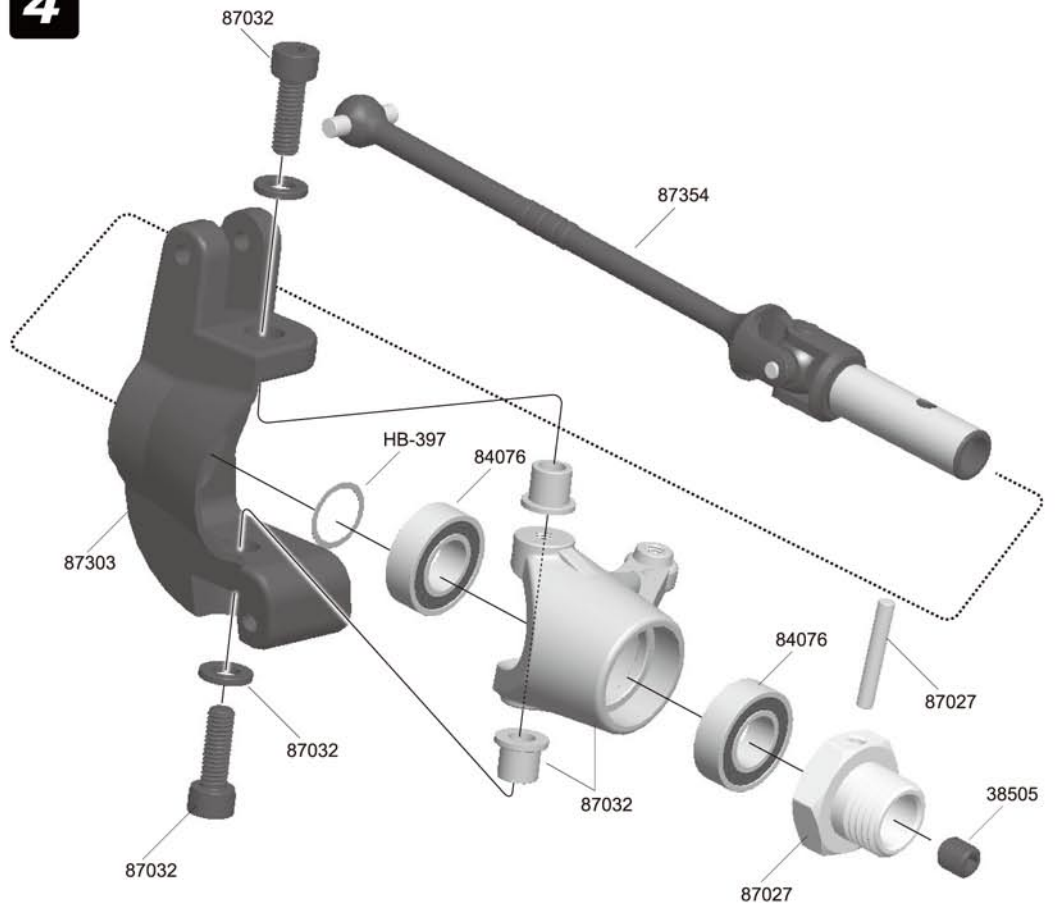
87027  
2.5x16.8mm x2  
Shaft












38505  
5x5mm x2  
Set Screw



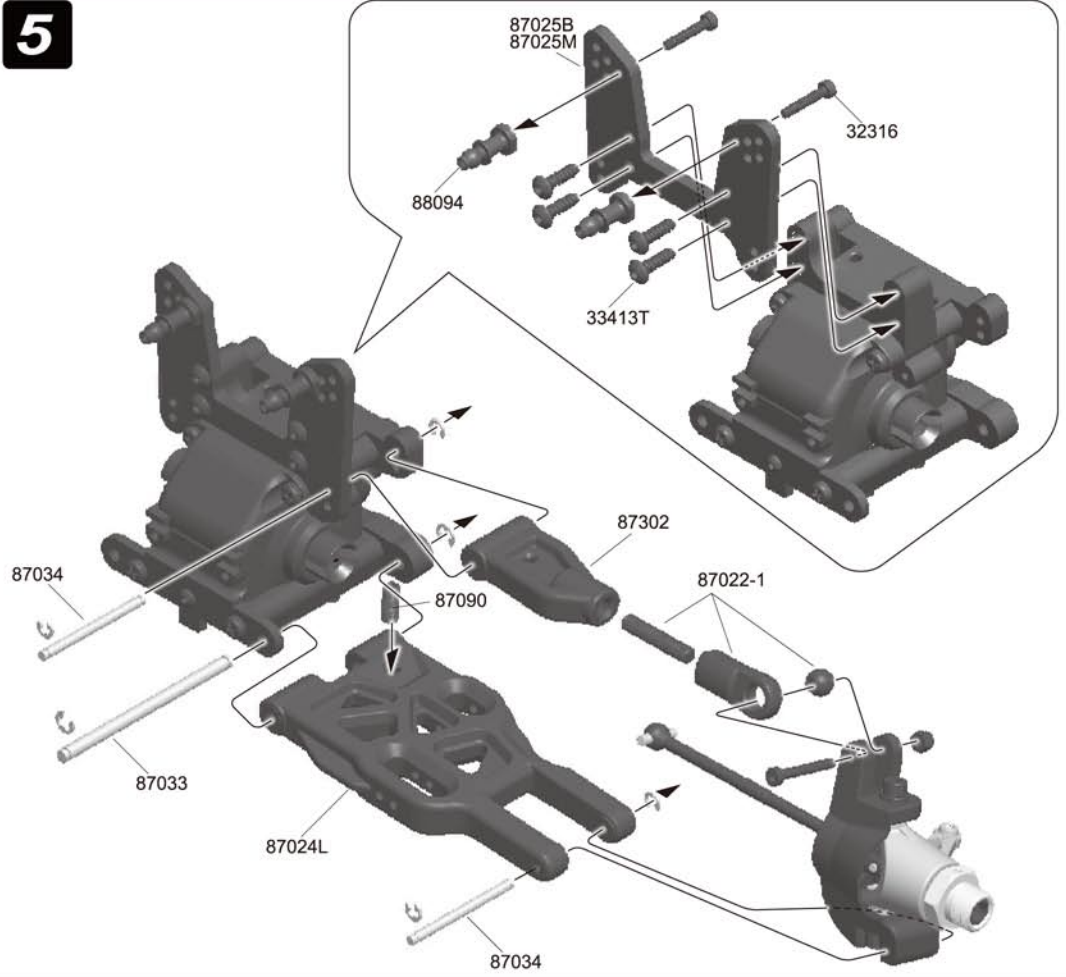
HB-397  
8.1x10x0.1mm x2  
Washer



# Assembly of Front Shock Tower & Suspension Unit

-  88094  
Steel Shock Ball
-  32316  
3x16mm x2  
Cap Screw
-  33413T  
4x13mm x4  
B/H Tap Screw
-  39008  
M3 Nut x2
-  39019  
2.3mm x8  
E-Clip
-  39020  
3mm x4  
E-Clip
-  32322  
3x22mm x2  
Cap Screw
-  87022  
7.8mm x2  
Steel Ball
-  87090  
5x12mm x2  
Set Screw

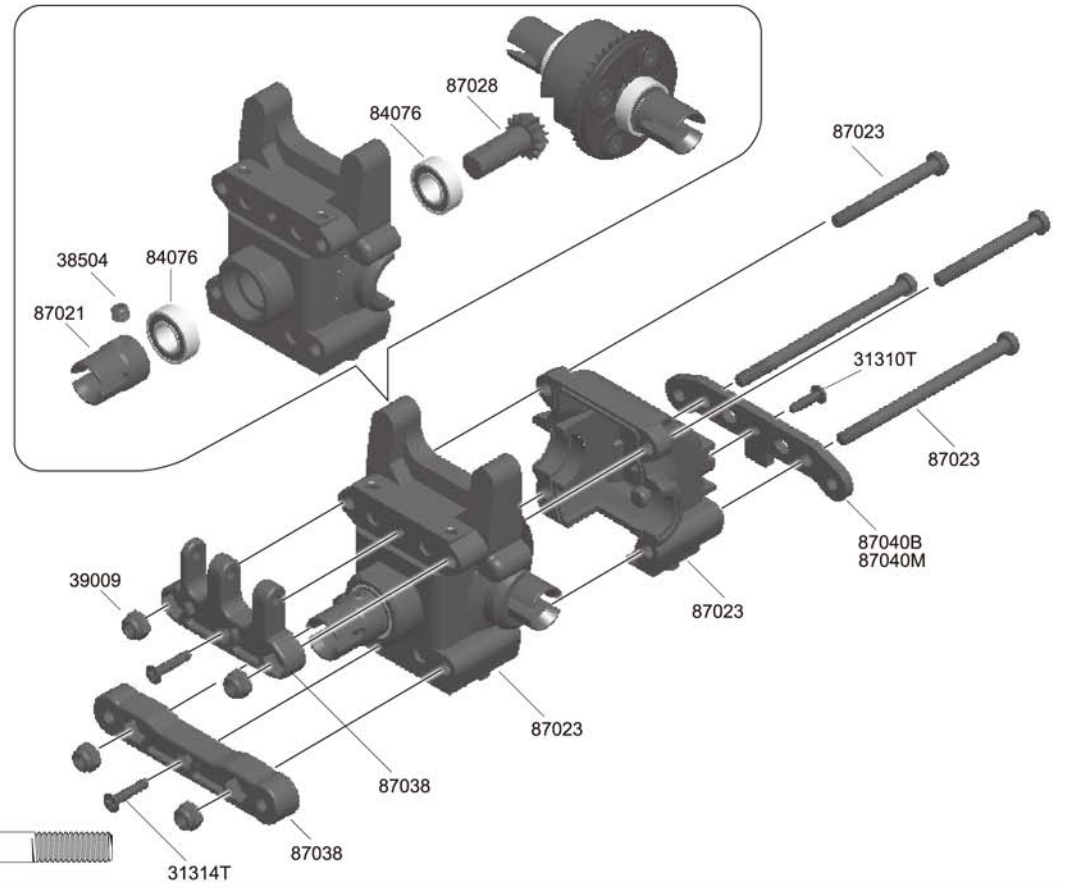
**5**







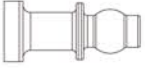




# Assembly of Rear Gear Box

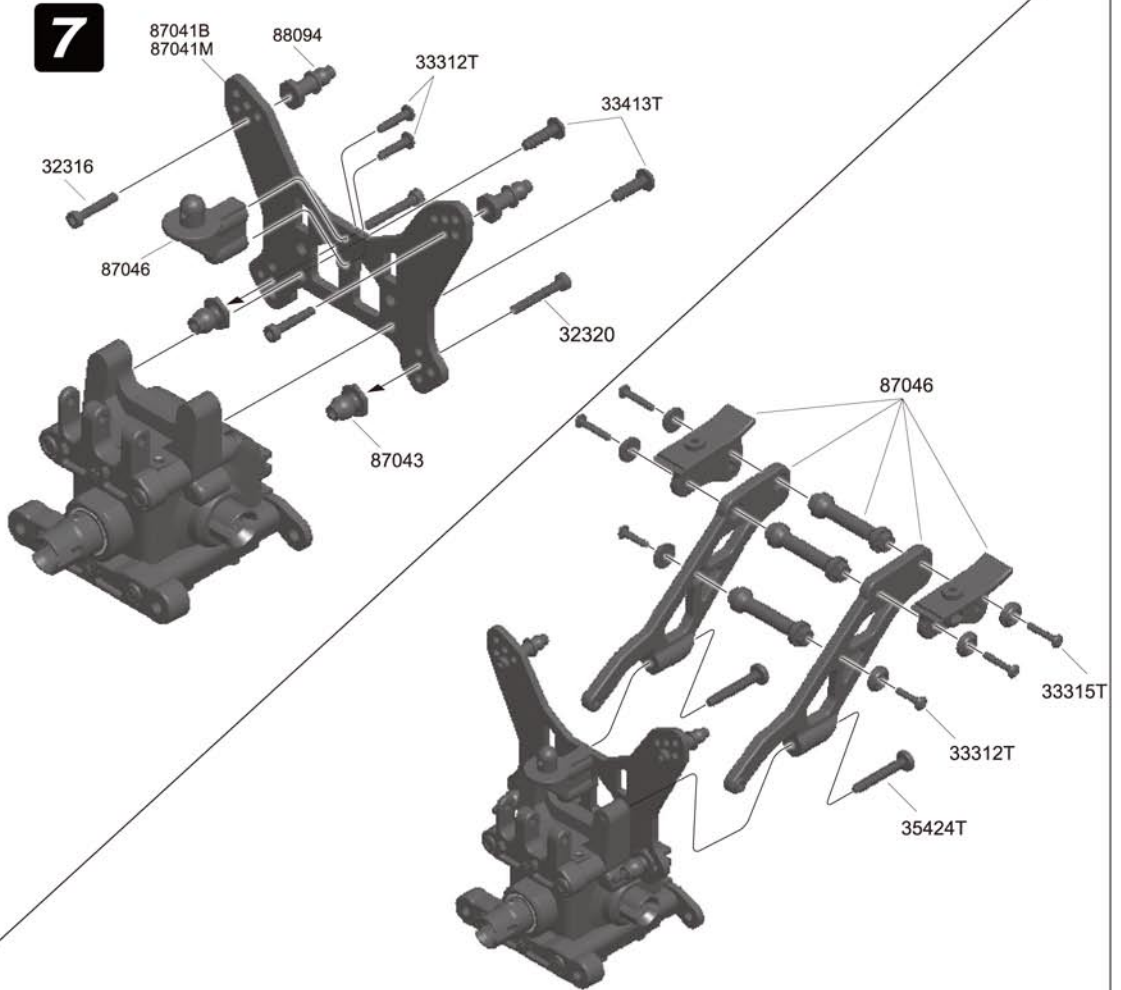
-  38504  
5x4mm x1  
Set Screw
-  84076  
8x16x5mm x2  
Ball Bearing
-  39009  
M4 Nut x4
-  31314T  
3x14mm x2  
F/H Tap Screw
-  31310T  
3x10mm x1  
B/H Tap Screw
-  87023  
4x37mm x2  
Screws
-  87023  
4x62.5mm x2  
Screws

**6**








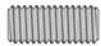



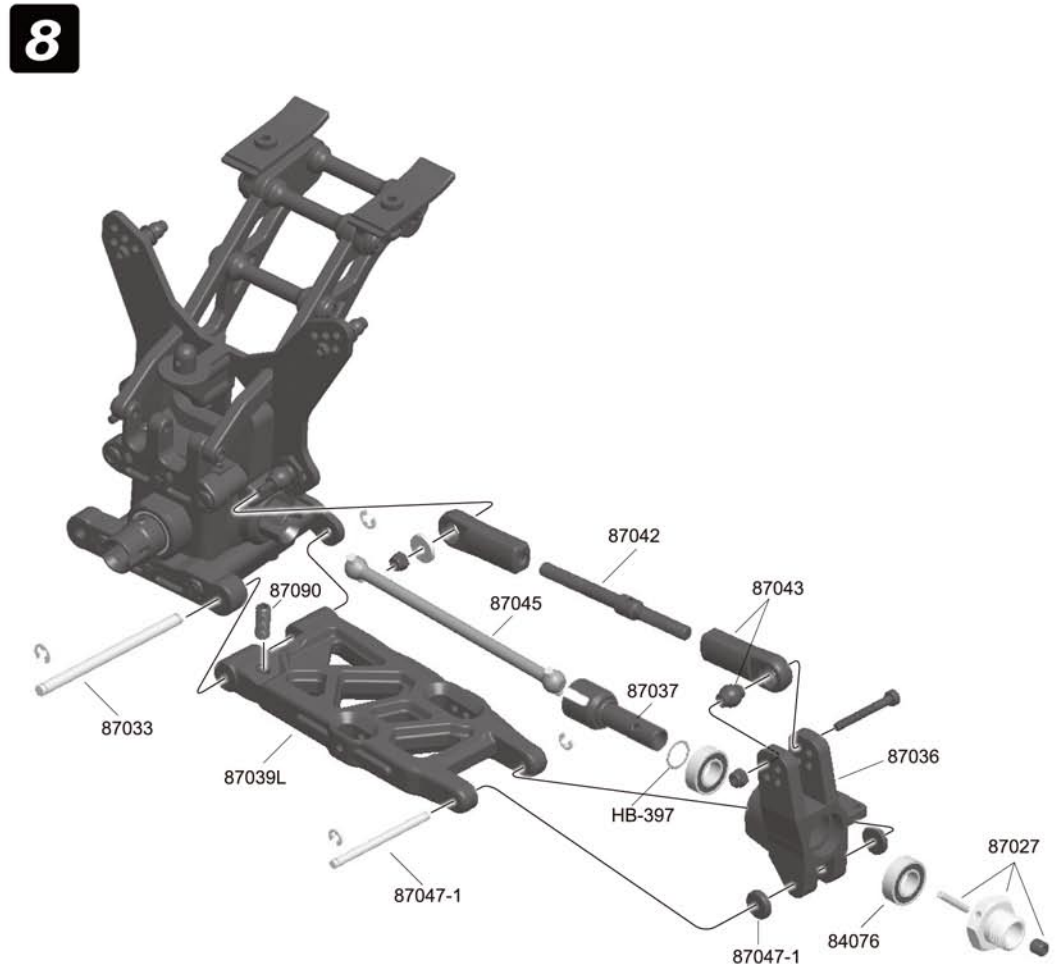
## Assembly of Rear Shock Tower & Wing Mount

	33312T 3x12mm x2 B/H Tap Screw
	33413T 4x13mm x2 B/H Tap Screw
	32316 3x16mm x2 Cap Screw
	32320 3x20mm x2 Cap Screw
	88094 Steel Shock Ball
	87043 Suspension Flanged Ball
	35424T 4x24mm x2 B/H Tap Screw
	33312T 3x12mm x2 B/H Tap Screw
	33315T 3x15mm x4 B/H Tap Screw





## Assembly of Rear Suspension Unit

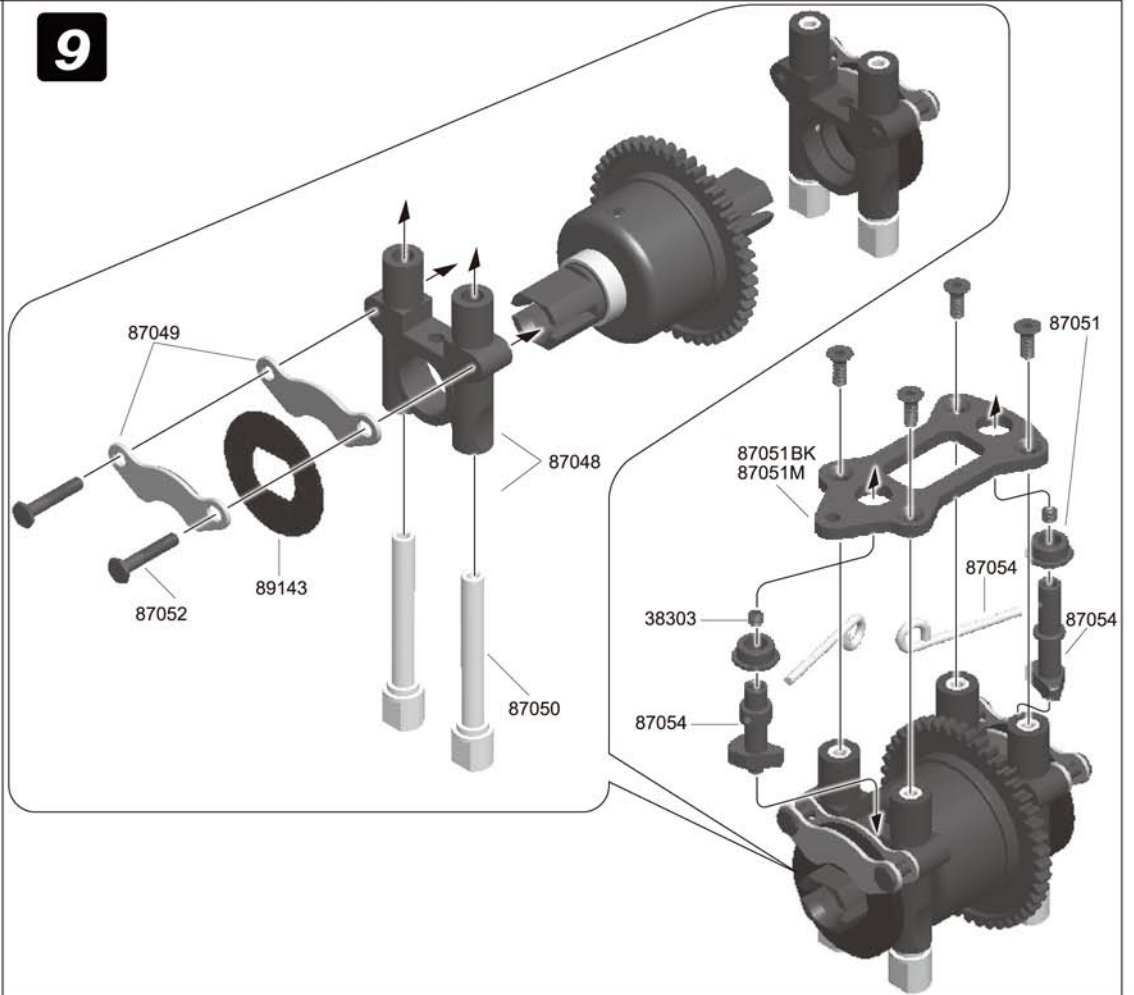
	39019 2.3mm x8 E-Clip
	39020 3mm x4 E-Clip
	HB-397 8.1x10x0.1mm x2 Washer
	39008 M3 Nut x2
	87043 3x10mm x2 Alum. Washer
	84076 8x16x5mm x4 Ball Bearing
	87027 2.5x16.8mm x2 Pin
	87090 5x12mm x2 Set Screw
	38505 5x5mm x2 Set Screw



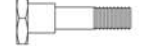









# Assembly of Center Differential Mount

-  87052  
3x16.5mm x4  
Brake Screw
-  31308  
3x8mm x4  
F/H Screw
-  38303  
3x3mm x2  
Set Screw

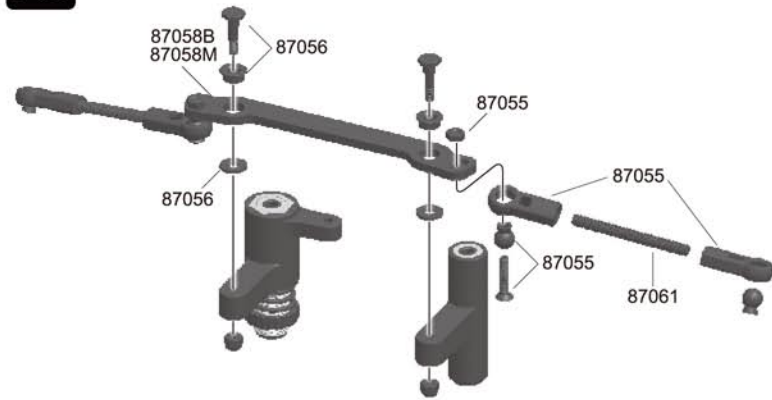
**9**



# Assembly of Steering Linkage

-  87056  
Ackerman Screw
-  31315  
3x15mm x2  
F/H Screw
-  87056  
3.1x9x1mm  
Washer
-  39008  
M3 Nut x2
-  33410  
4x10mm x2  
B/H Screw
-  31312T  
3x12mm x1  
F/H Tap Screw
-  87056  
Flange Insert x2
-  87055  
M3 Nut x2
-  87060  
6x10mm x4  
Bushing
-  87061  
4x40mm x2  
Set Screw

**10**

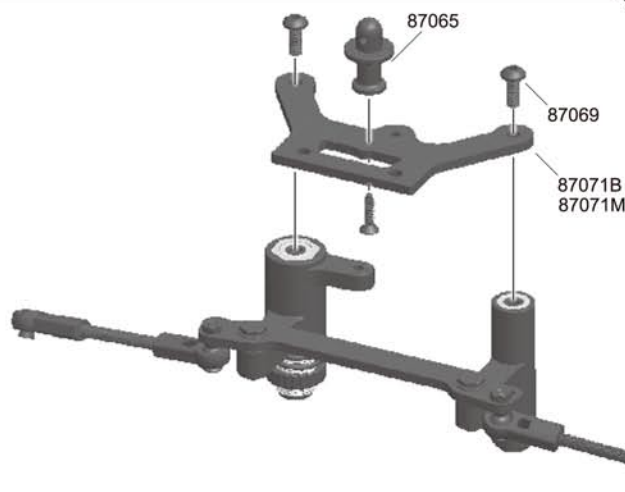


**2**

**1**









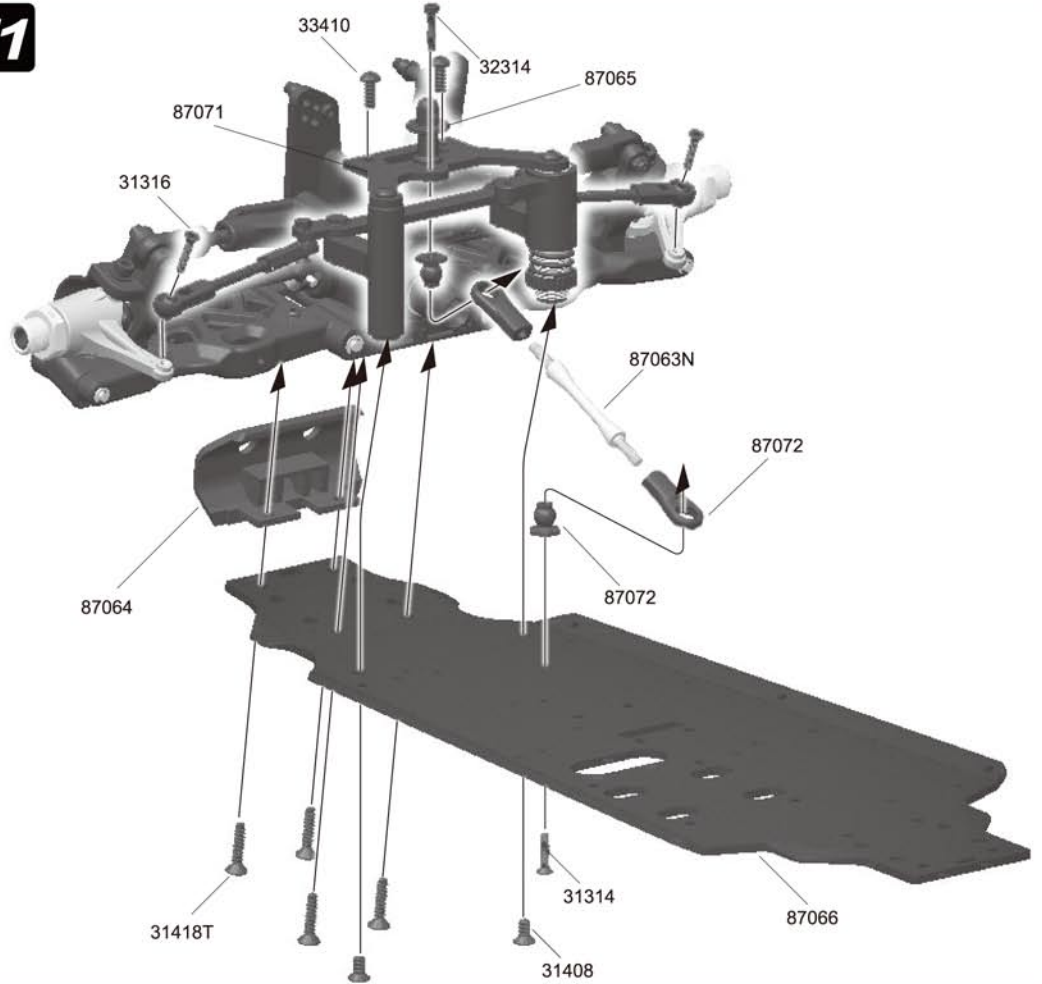
**3**



## Assembly of Front Chassis Brace




**11**

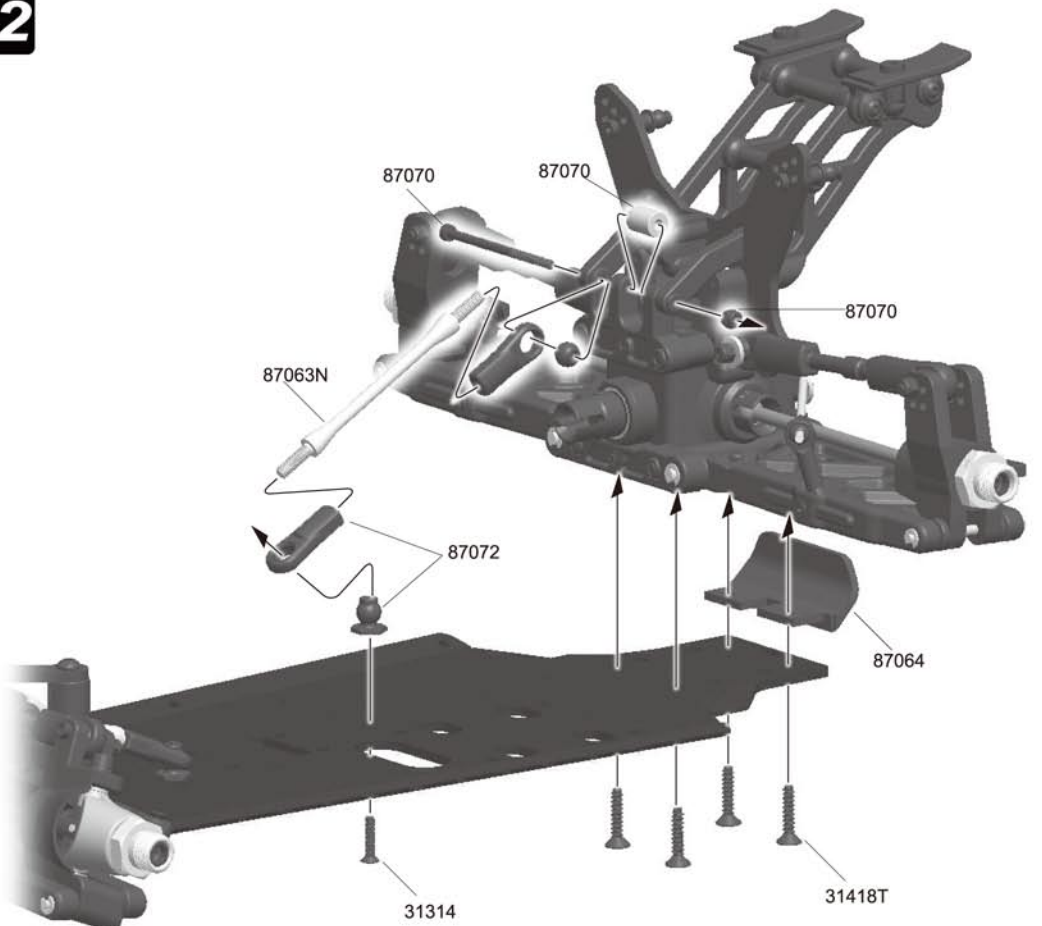
-  31316  
3x16mm x2  
F/H Screw
-  33410  
4x10mm x2  
B/H Screw
-  32314  
3x14mm x1  
Cap Screw
-  31408  
4x8mm x2  
F/H Screw
-  31314  
3x14mm x1  
F/H Screw
-  31418T  
4x18mm x4  
F/H Tap Screw



## Assembly of Rear Chassis Brace

**12**

-  31314  
3x14mm x1  
F/H Screw
-  39008  
M3 Nut x1
-  31418T  
4x18mm x4  
F/H Tap Screw
-  87070  
3x50mm  
Cap Screw







## Assembly of Servo Mount

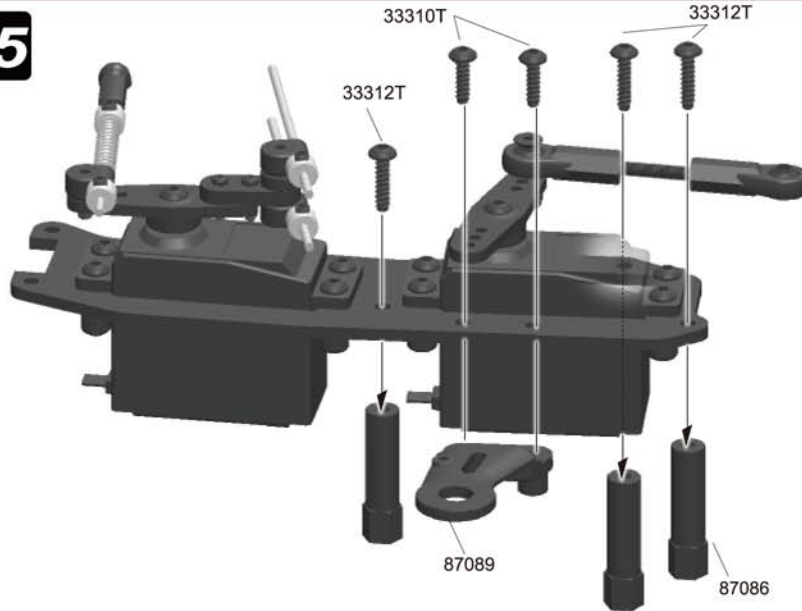


33310T  
3x10mm x2  
B/H Tap Screw



33312T  
3x12mm x3  
B/H Tap Screw

**15**



## Assembly of Battery Box

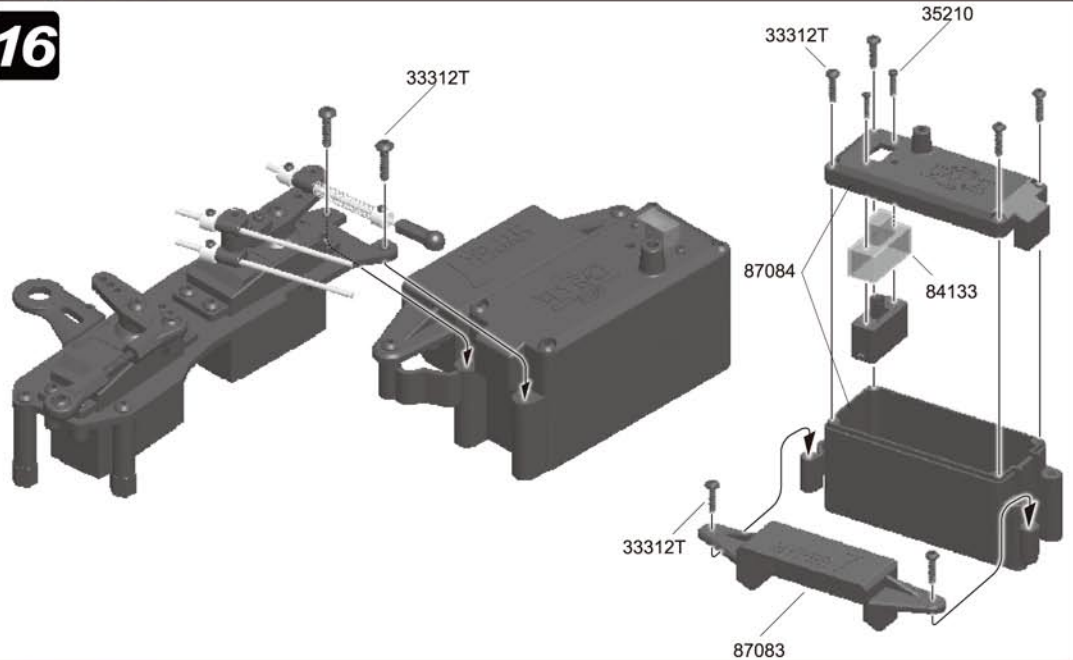


33312T  
3x12mm x8  
B/H Tap Screw



35210  
2x10mm x2  
B/H Screw

**16**



## Assembly of Rear Stabilizer



31320  
3x20mm x1  
F/H Screw



87044  
6.8mm x2  
Pivot Ball



89041  
3x3mm x2  
Set Screw



87016  
6.8mm x2  
Steel Ball



38303  
3x8mm x2  
F/H Screw

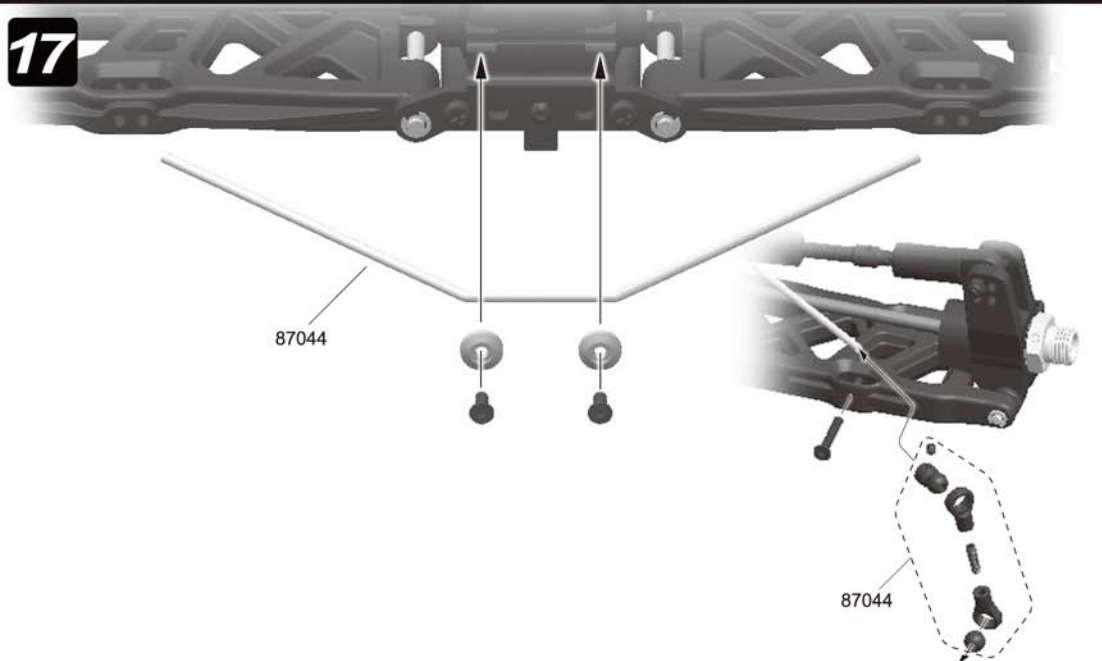


88115  
Alum Collar



87044  
3x12mm x2  
Set Screw

**17**



# Assembly of Fuel Tank



31310T  
3x10mm x3  
F/H Tap Screw

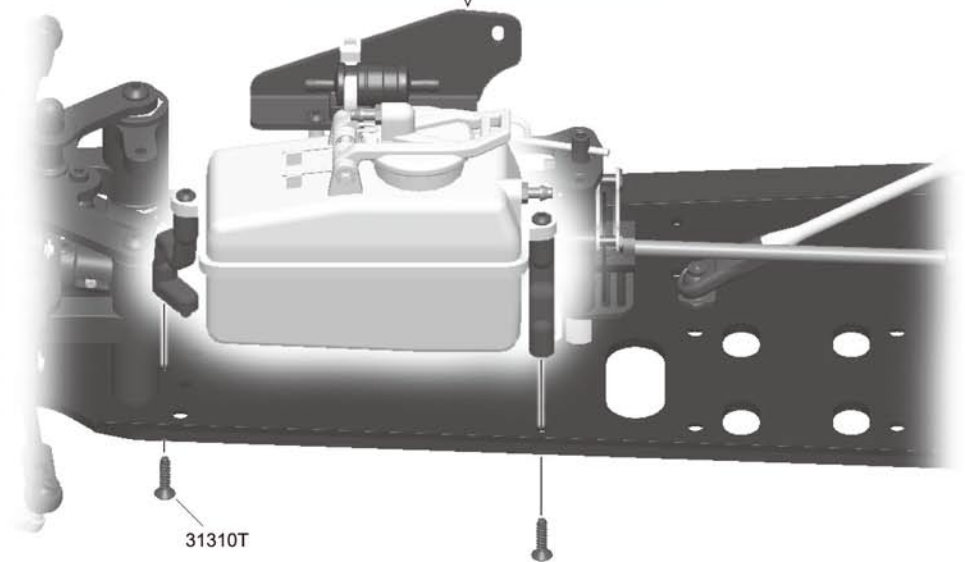
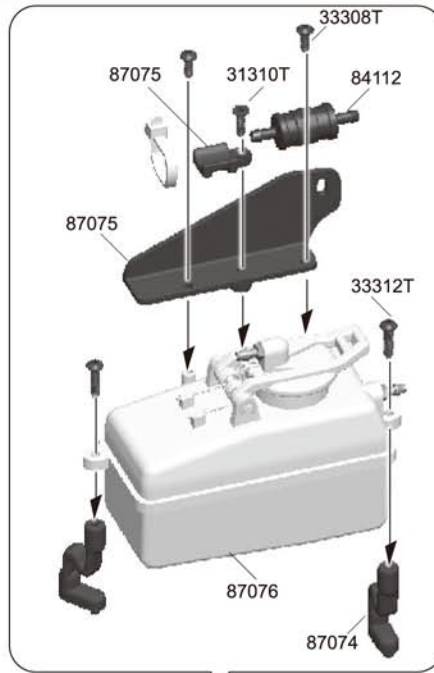


33308T  
3x8mm x2  
B/H Tap Screw



33312T  
3x12mm x2  
B/H Tap Screw

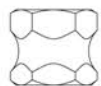
**18**



# Assembly of Flywheel



84053  
Clutch Spring x3

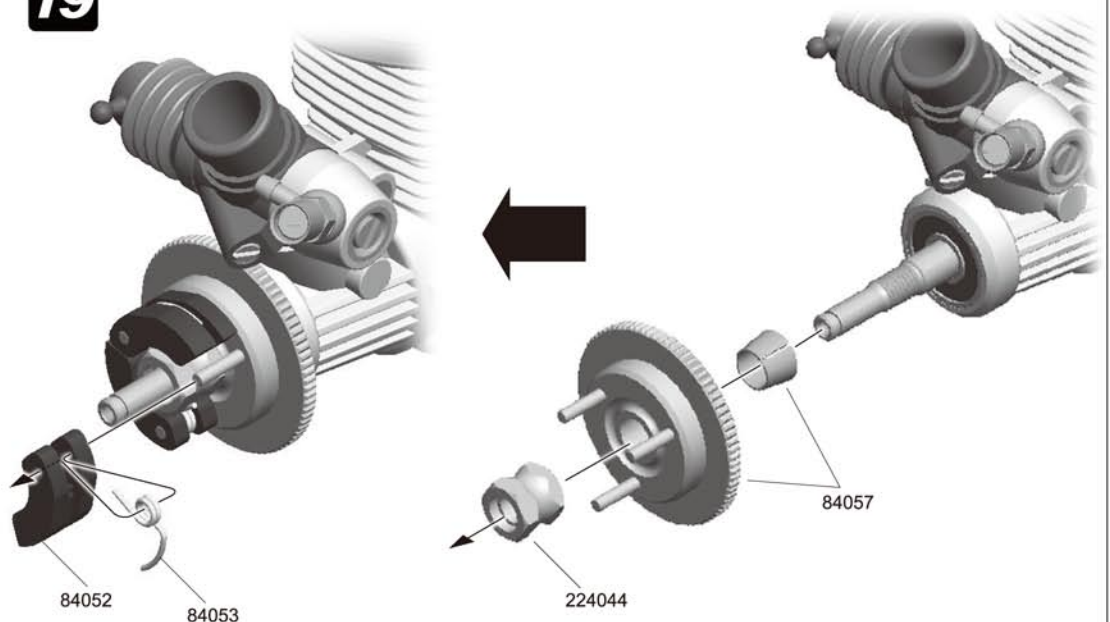


224044  
Clutch nut



84052  
Clutch Shoe x3

**19**



## Assembly of Clutch Bell



32314  
3x14mm x4  
Cap Screw

**20**



32308  
3x8mm x1  
Cap Screw



84187w  
3.2x7.8x0.8mm  
Washer



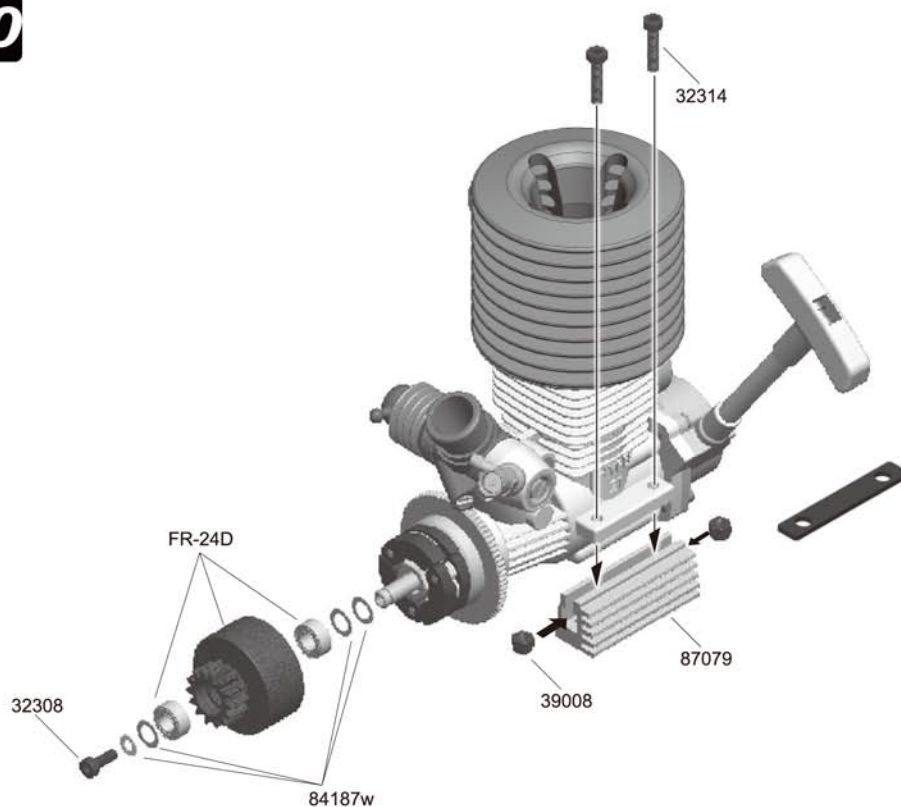
84187w  
5.2x9.8x0.3mm x3  
Washer



84077  
5x10x4mm x2  
Ball Bearing



39008  
M3 Nut x4

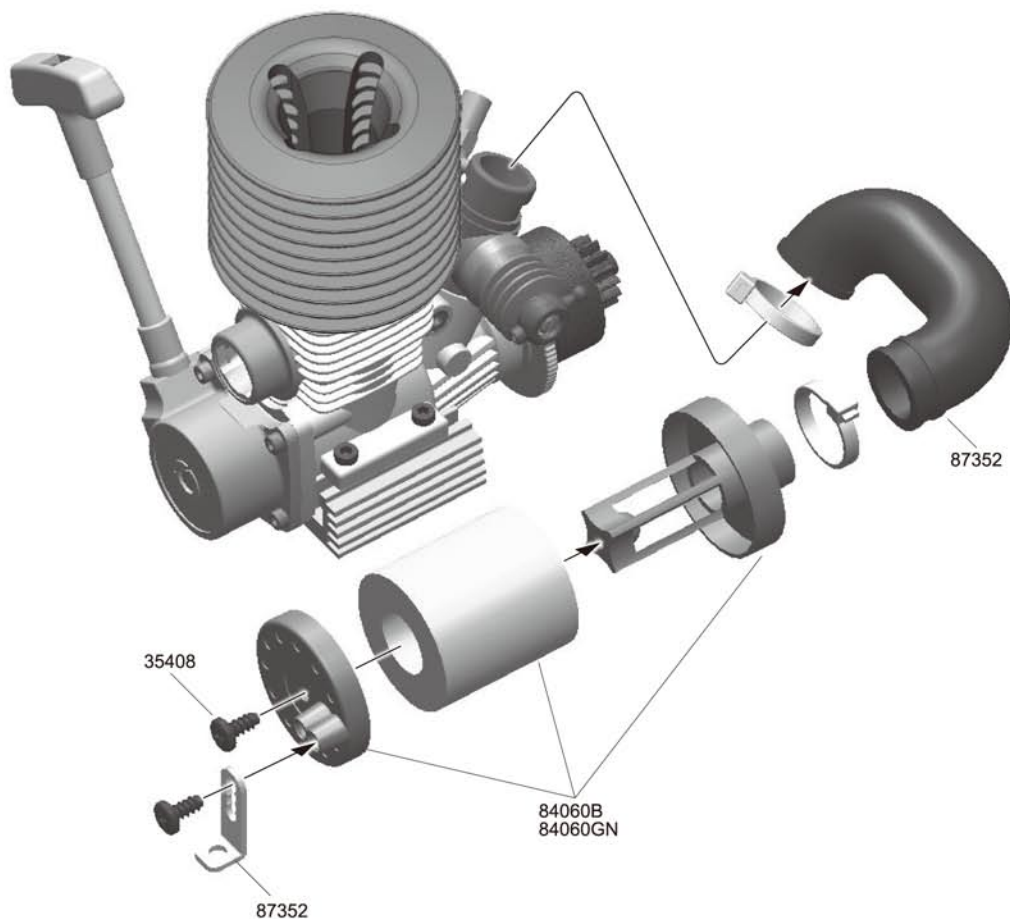


## Assembly of Air Filter



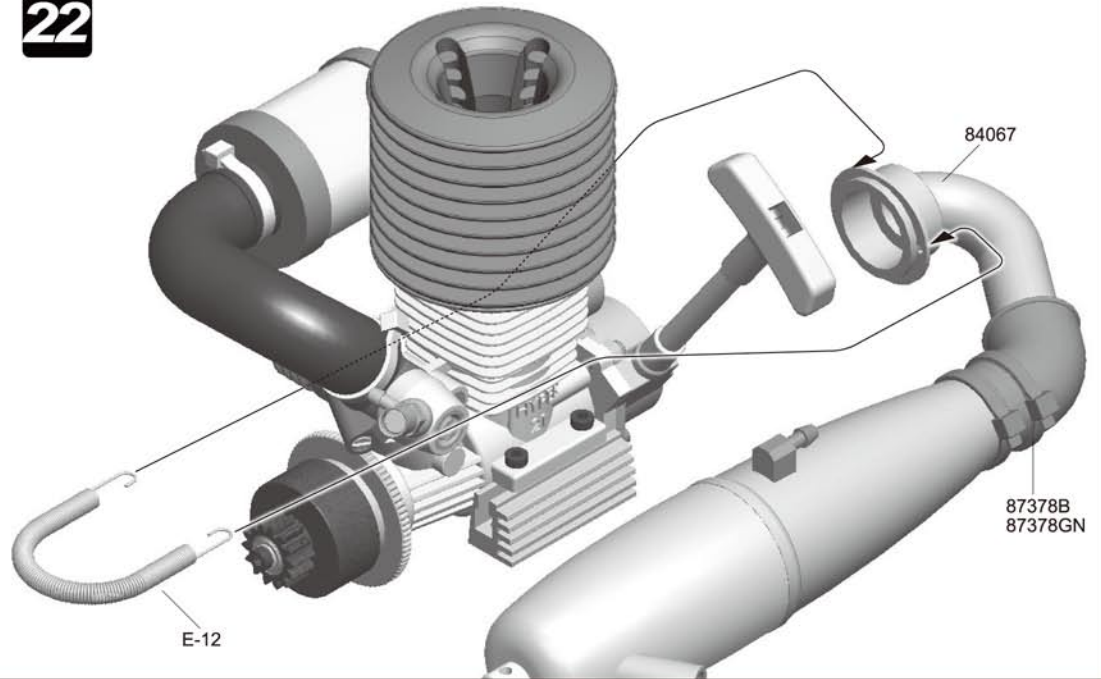
35408  
4x8mm x2  
B/H Screw

**21**



## Assembly of Muffler

**22**



## Assembly of Engine onto Chassis

**23**



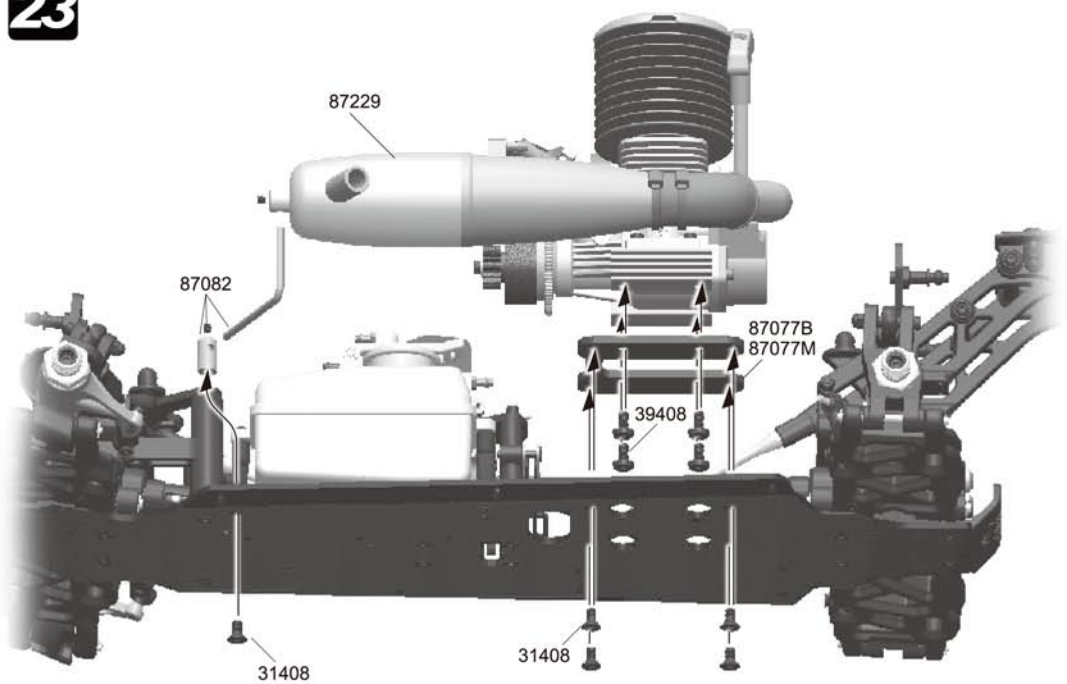
39408  
4x8mm x4  
Engine Screw



31408  
4x8mm x5  
F/H Screw



38303  
3x3mm x2  
Set Screw

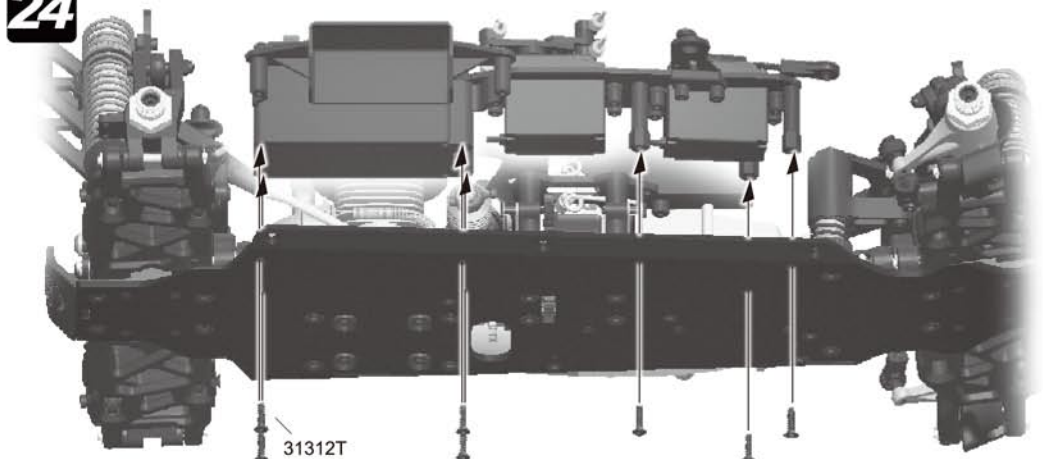


## Assembly of Radio Tray onto Chassis

**24**



31312T  
3x12mm x7  
F/H Tap Screw



## Assembly of Brake Linkage

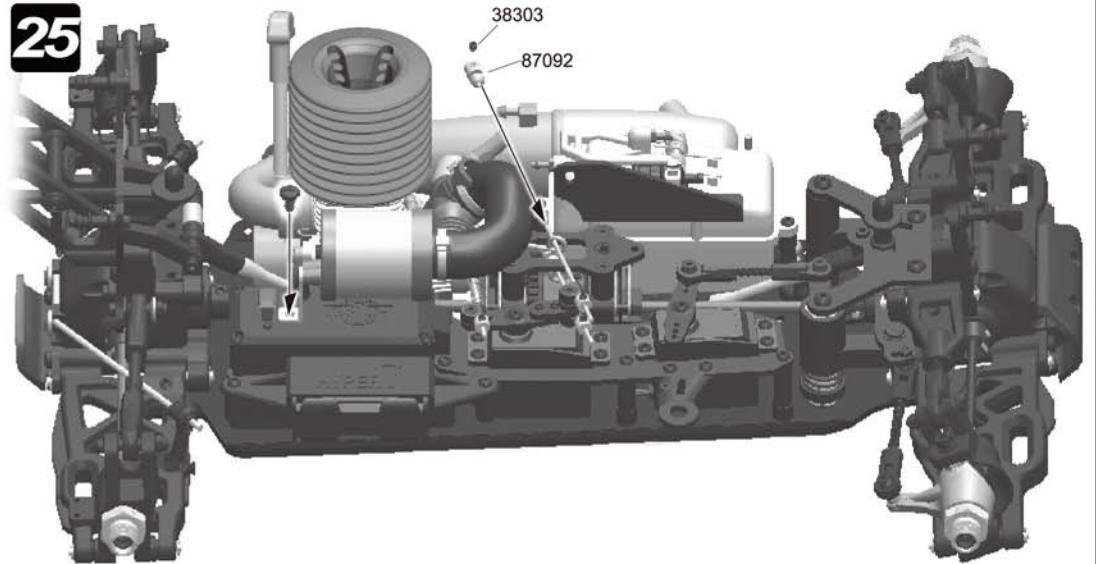


4x8mm



38303  
3x3mm x2  
Set Screw

**25**



## Assembly of Steering Servo Link

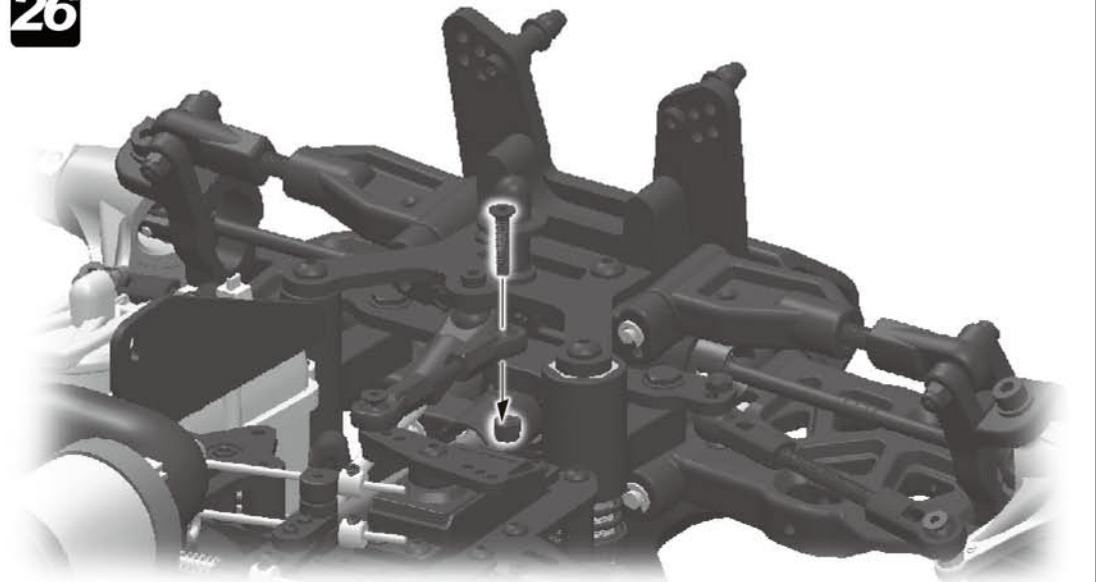


31315  
3x15mm x1  
F/H Screw



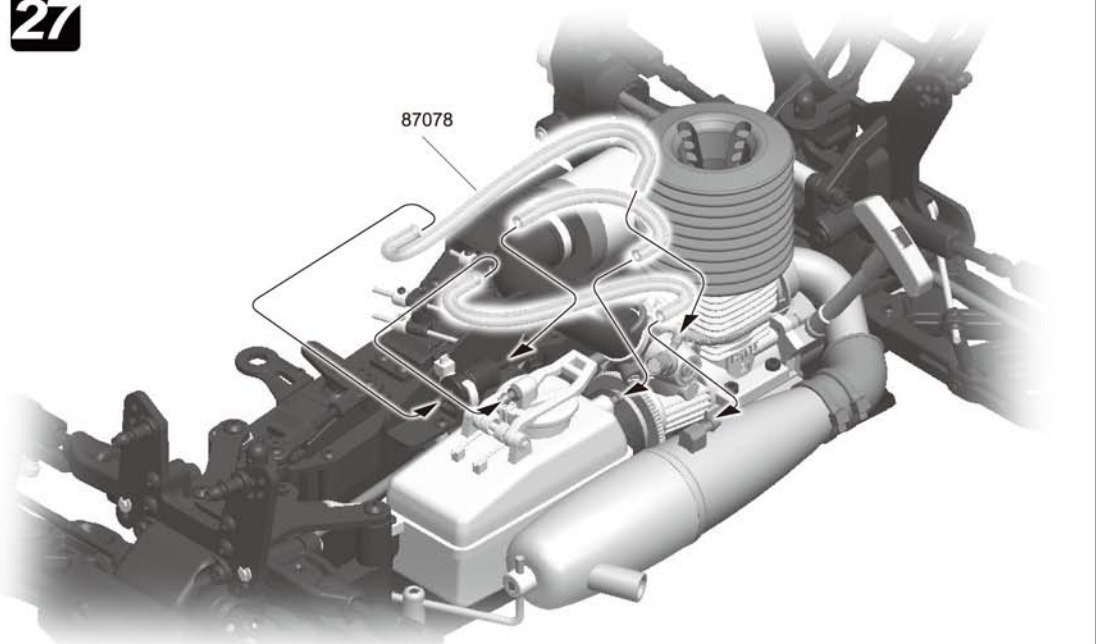
39008  
M3 Nut x1

**26**



## Assembly of Fuel Tube

**27**

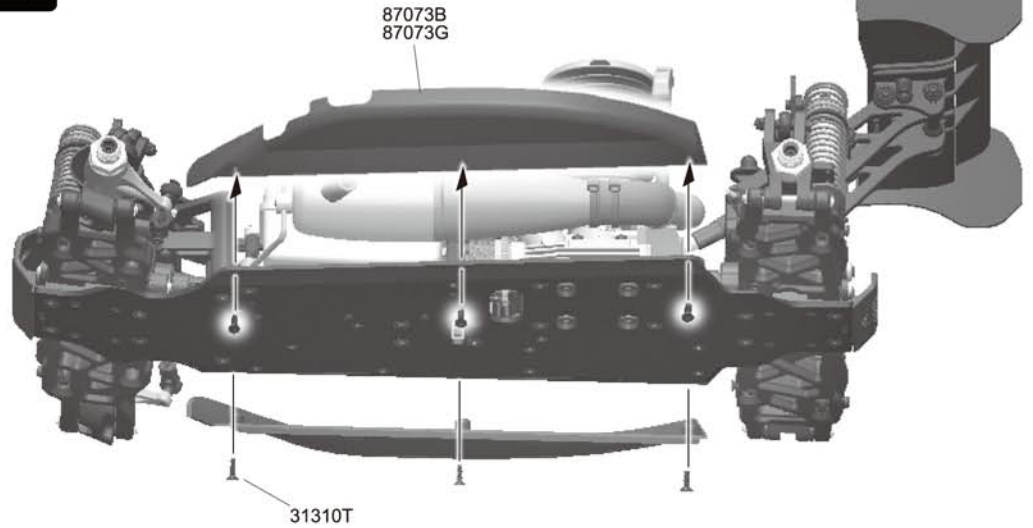


## Assembly of Side Guards



31310T  
3x10mm x6  
F/H Tap Screw

**28**



## Assembly of Front/Rear Shocks



87398  
M-Clip x4



87398  
Spacer x8



87398  
3.4x2mm x8  
O-Ring

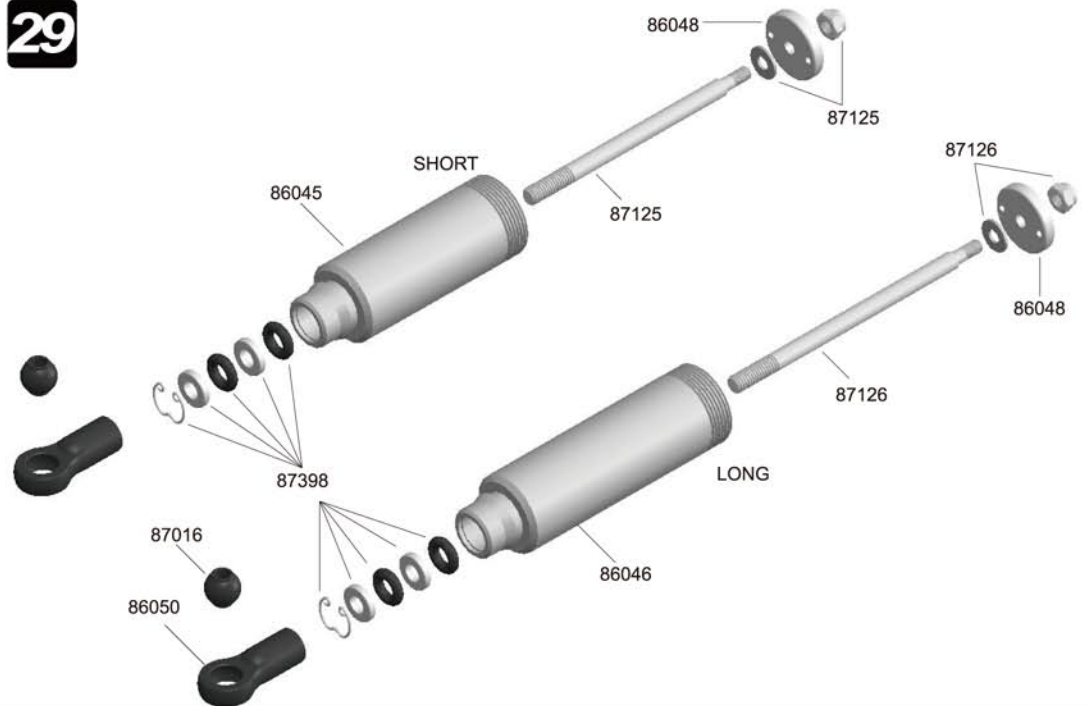


87125  
2.7x6.5x0.6mm x4  
Washer



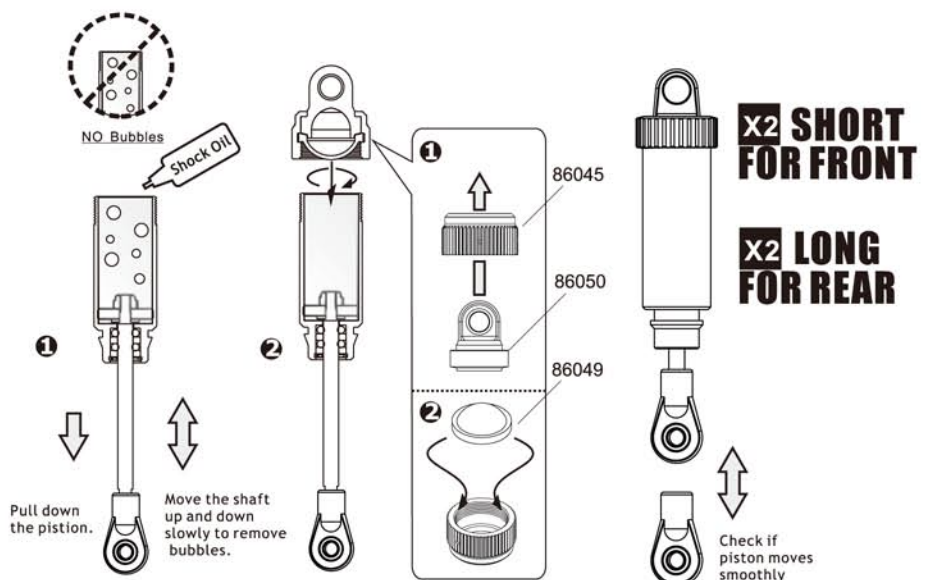
87125  
M2.6 Nut x4

**29**



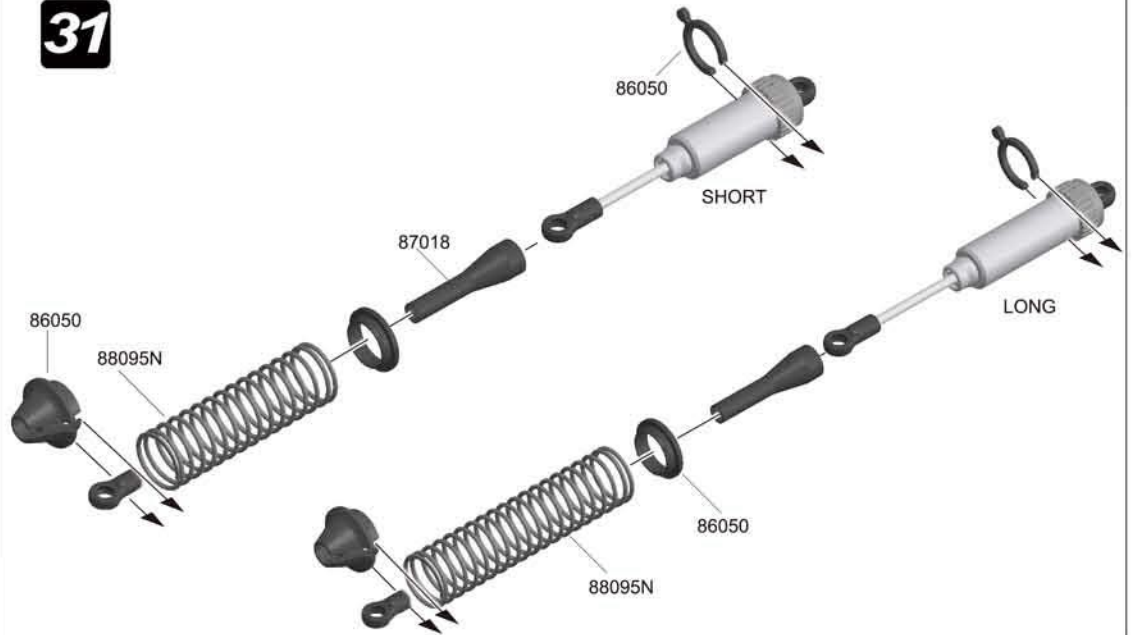
## Assembly of Front/Rear Shocks

**30**



## Assembly of Shock Boot & Spring

**31**

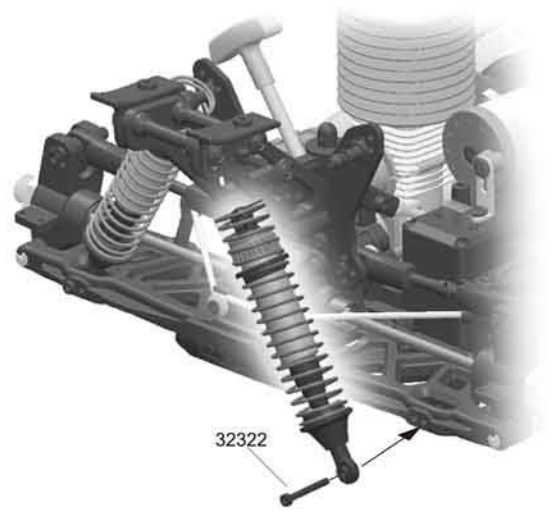


## Assembly of Front/Rear Shock



32322  
3x22mm x4  
Cap Screw

**32**

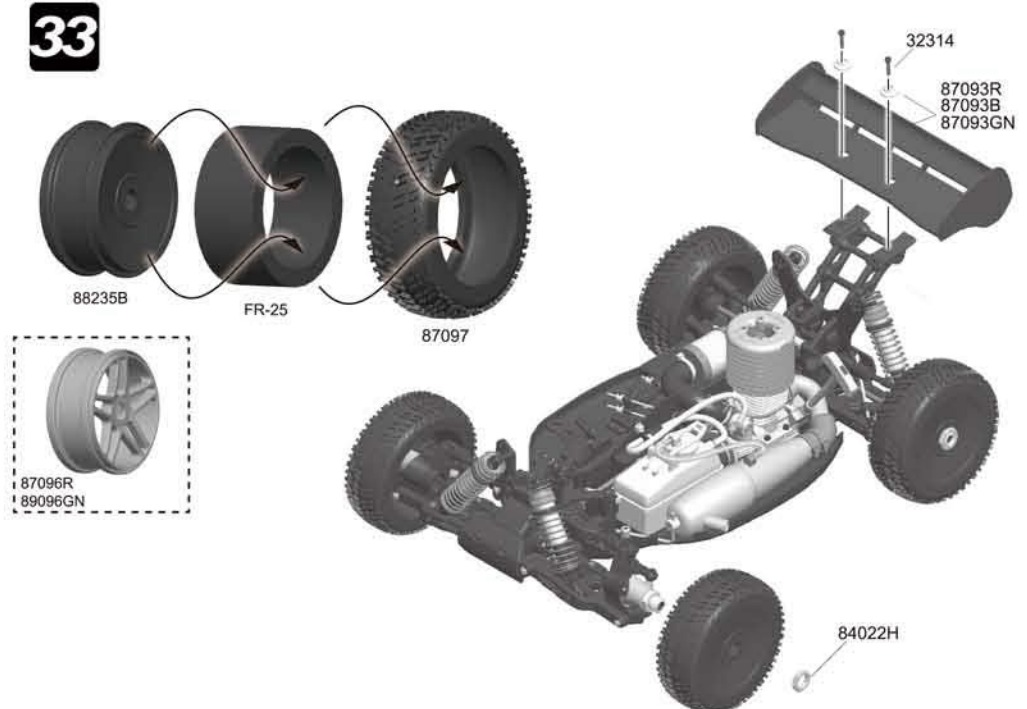


## Assembly of Tires & Wheels



32314  
3x14mm x2  
Cap Screw

**33**





<b>7TQ STANDARD PARTS</b>		87071B/M	FRONT ALU UPPER TORQUE PLATE	89143	FIBER BRAKE DISK
87001	CROWN GEAR	87072	TORQUE ROD - BALL END SET	FR-24D	CLUTCH BELL - 13T
87002	BEVEL GEAR	87073B/G	SIDE GUARD	FR-25	FOAM INSERT
87003	DIFFERENTIAL OUTDRIVE CUP	87074	TANK POST	E-12	MANIFOLD SPRING
87004	DIFFERENTIAL CASE	87075	TANK GUARD	224037	SERVO HORN SET
87005	STEEL SPUR GEAR	87076	FUEL TANK	224044	CLUTCH NUT
87006	CENTER DIFFERENTIAL OUTDRIVE CUP	87077B/M	ENGINE MOUNT SPACER	87096R/GN	WHEEL
87016	STEEL BALL END 6.8MM	87078	FUEL TUBE	84107	TIRE
87018	SHOCK BOOTS	87079	ENGINE MOUNT	<b>7.5 STANDARD PARTS</b>	
87021	CENTER CUP JOINT	87080	SCREWS SET	86001	CROWN GEAR
87022-1	FRONT TOP ARM, W/ ROD	87082	MUFFLER STAY SET	86002	DRIVE PINION GEAR
87023	GEAR BOX	87083	BATTERY BOX	87329	ANTI ROLL BAR - 2.4MM
87024L	FRONT BOTTOM ARM	87084	RECEIVER BOX	87330	TURNBUCKLE FOR FRONT ARM
87025B/M	FRONT SHOCK TOWER - BLACK	87085B/M	RADIO TRAY	87551	FRONT SHOCK TOWER - HARD COATING
87027	WHEEL HUB SET	87086	RADIO TRAY POST	87552	FRONT TOP A ARM
87028	DRIVE PINION GEAR	87087	SERVO BALL END SET	87553	FRONT ALU UPPER TORQUE PLATE- HARD COATING
87029B/M	FRONT ALUM SUSPENSION PLATE	87088	SERVO LINKAGE SET	87554	SUSPENSION SCREWS M 4 X 66
87030	FRONT SUSPENSION HOLDER	87089	SENSOR MOUNT	87555	SCREWS M 3 X 38, M 3 X 40, M 3 X 47
87032	STEERING KNUCKLE	87090	SET SCREWS M5X12	87556	SERVO SAVER ARM
87033	SUSPENSION SHAFT - 4MM	87091	THROTTLE ROD SET	87557	STEERING ROD
87034	SUSPENSION SHAFT - 3MM	87092	SERVO LINKAGE ROD SET	87558	TURNBUCKLE FOR SERVO SAVER
87036	REAR UPRIGHT	87093B/G/R	WING	87559	REAR SHOCK TOWER - HARD COATING
87037	REAR WHEEL SHAFT	87094W/B	PRINTED BODY - FIRE DESIGN - BLACK	87560	CENTER ALUM DIFF HOUSING PLATE- HARD COATING
87038	WING STAY HOLDER	87094W/G	PRINTED BODY - FIRE DESIGN - GREEN	87561	TURNBUCKLE FOR SERVO ROD
87039L	REAR BOTTOM ARM	87094W/Y	PRINTED BODY - FIRE DESIGN-YELLOW	87562	NEW WING
87040B/M	REAR ALUM SUSPENSION PLATE - BLACK	87097	TIRE	87563	PRINTED BODY - NEW DESIGN
87041B/M	REAR SHOCK TOWER - BLACK	87125	3.5MM FRONT SHOCK SHAFT	88087	SP BRAKE PAD
87042	REAR TURNBUCKLE	87126	3.5MM REAR SHOCK SHAFT	88090	ALUM CENTER DRIVE SHAFT-97/108MM
87043	REAR TOP ARM	87229	TUNED PIPE	88096R	FRONT SHOCK ABSORBER SET 16MM
87044	REAR ANTI ROLL BAR	87302	FRONT TOP A ARM	88097R	REAR SHOCK ABSORBER SET 16MM
87045	REAR DRIVE SHAFT	87303	FRONT 20° C-HUB	88098	SHOCK SPRING - ORANGE
87046	WING MOUNT	87352	S TYPE SILICONE TUBE	88110	WHEEL
87047-1	REAR STEEL BALL MOUNT	87354	NEW CVD	88114	REAR SWING SHAFT
87048	CENTER DIFF HOUSING	87378B/G	SILICONE PIPE TUBE	88115	ALUM COLLAR
87049	BRAKE PAD	87398	3.5MM SHOCK ABSORBER REPAIR SET	88118/88119	TIRES
87050	CENTER ALUM DIFF HOUSING POST	84022H	HUB SET		
87051BK/M	CENTER ALUM DIFF HOUSING PLATE	84052	CLUTCH SHOES		
87052	HEX HEAD SCREWS M3X16.5	84053	CLUTCH SPRING		
87054	BRAKE CAM SET	84057	FLYWHEEL		
87055	STEERING BALL END SET	84060B	AIR FILTER - BLACK COVER		
87056	STEERING STEEL COLLAR	84067	MANIFOLD		
87057	SERVO SAVER ARM	84076	BALL BEARING 8 X16MM		
87058B/M	STEERING PLATE	84112	FUEL FILTER		
87059	STEEL AXLE FOR SERVO SAVER	84133	SWITCH CAP		
87060	BUSHING 6 X 10MM	84187W	CLUTCH BELL WASHER		
87061	SET SCREW M4X40 FOR SERVO SAVER	86045	FRONT SHOCK BODY 16MM		
87062B	ALUM SERVO SAVER POST	86046	REAR SHOCK BODY 16MM		
87063N	FRONT AND REAR TORQUE ROD - CHORM	86048	SHOCK PISTON		
87064	BUMPER SET	86049	SHOCK BLADDER		
87065	BODY POST	86050	SHOCK NYLON SET		
87066	MAIN CHASSIS	88094	STEEL SHOCK BALL		
87067	CENTER DRIVE SHAFT	88095N	SHOCK SPRING - BLACK COLOR		
87068	FLAT HEAD TAPPING M4X18	88096N	FRONT SHOCK ABSORBER SET 16MM		
87069	SCREWS M4X8 / M4X10	88097N	REAR SHOCK ABSORBER SET 16MM		
87070	SCREWS M3X50, STEEL BALL, SPACERS	88235B	DISH WHEEL - BLACK		

*1/8 OFF-ROAD GAS POWERED RACING CAR.*

# **HYPER7**

**HO BAO ENTERPRISING CO.,LTD.**  
**[www.hobao-racing.com](http://www.hobao-racing.com)**  
**E-Mail:[hobao@hobao.com.tw](mailto:hobao@hobao.com.tw)**  
**Made in Taiwan**